

Electrolux

ELECTROLUX OUTDOOR PRODUCTS

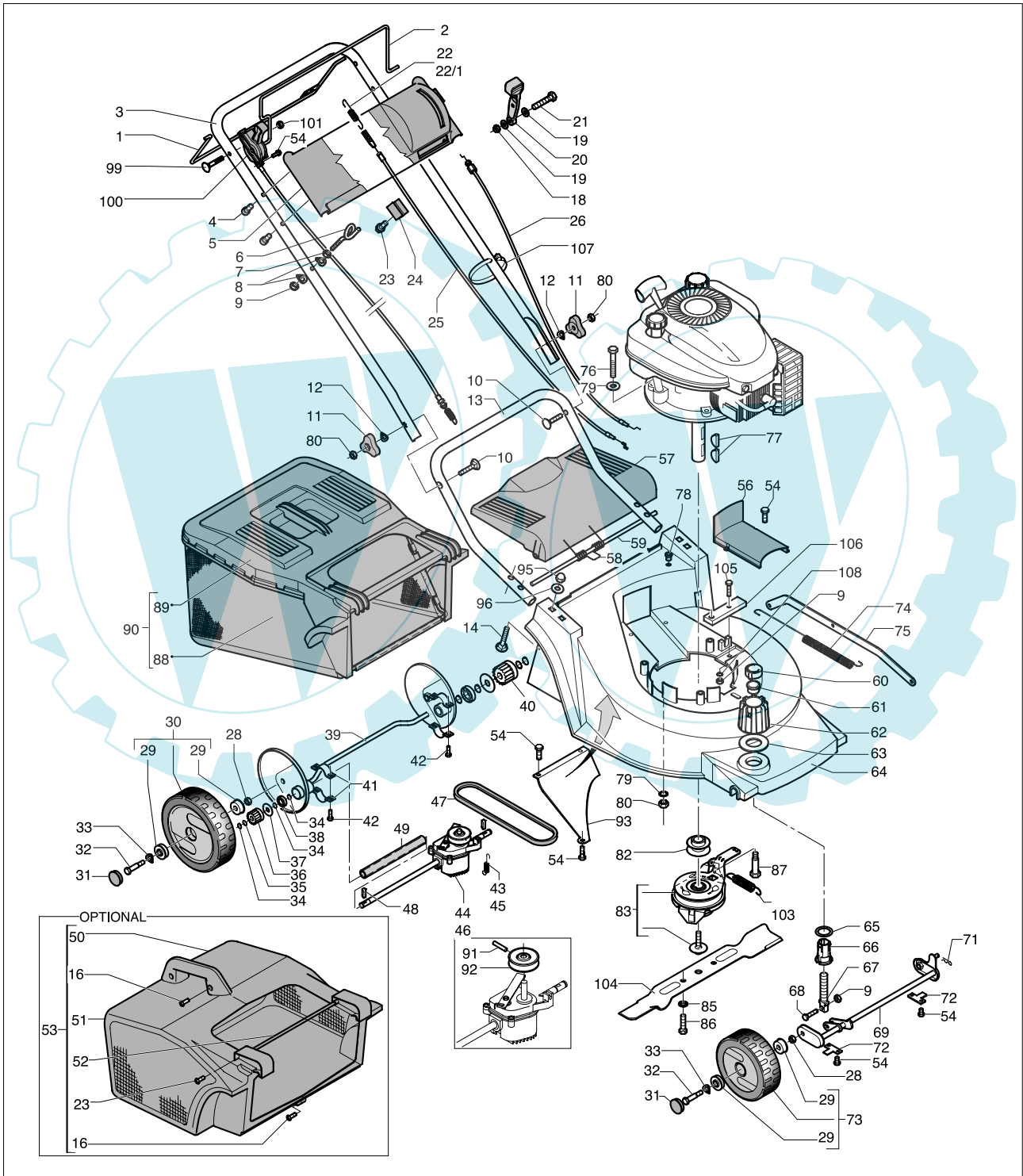
brand	MEP
-------	------------

date	JAN/02	SHEET 1/3
------	--------	-----------

Model

MP - ER 548S BBC

Product number



The Electrolux Group. The world's No.1 choice.

Ihr Ersatzteilspezialist im Internet

brand	MEP
-------	------------

date	JAN/02	SHEET 2/3
------	--------	-----------

MP - ER 548S BBC

Pos.	PN ELX	PN MEP	DESCRIZIONE	DESCRIPTION	DESCRIPTION	Q.ty	NOTE
1	531205789	10140763	maniglia frizione	clutch lever	manette d'embrayage	1	
2	531205788	10140753	maniglia freno	lever	manette	1	
3	531205790	10140773	manico superiore	upper handle	guidon superieur	1	
4	531208844	20734900	vite	screw	vis	4	TCTC 4,3x16 FIX ZB
5	531205608	10135772	plancia comandi	dash-board	planche	1	ER
5	531205607	10135770	plancia comandi	dash-board	planche	1	MP
6	531205169	10121470	gancio	cable hook	crochet	1	
7	531207165	10501200	dado	nut	ecrou	1	M6 H6 UNI 5587-6S-ZB
8	531204961	10115900	rondella ondulata	washer	rondelle	2	6,5E
9	531208491	20281800	dado	nut	ecrou	2	M6H8UNI7473ZB
10	531207089	10402401	vite	screw	vis	2	TTSQ M8x50 TF ZB
11	531204923	10114303	pomolo	knob	poignée	2	
12	531207090	10402402	rondella ondulata	washer	rondelle	2	8,5
13	531205496	10135113	manico inferiore	handle lowere	guidon inferieur	1	
14	531207842	10830800	vite	screw	vis	4	TTSQ M6x40 1/2F ZV
16	531208216	20135720	vite	screw	vis	1	TCTC2FD.x16 AC
18	531208492	20282100	dado	nut	ecrou	1	M5H7UNI7473ZB
19	531206666	10284700	rondella piana	washer	rondelle	2	5/15/1,5 ZB
20	531205139	10121263	leva acceleratore	lever	levier	1	
21	531207836	10830000	vite	screw	vis	1	TE M5x25 UNI 5739-8,8-ZB
22	531205596	10135710	molla frizione	spring	ressort	1	
23	531206677	10289900	vite	screw	vis	1	4,8x19 TCTCFR
25	531206298	10160170	cavo frizione	clutch cable	cable d'embrayage	1	
26	531207754	10800400	cavo acceleratore	accelerator cable	cable accelerateur	1	mm 1385/80 B&S
28	531207978	20101700	dado	nut	ecrou	4	M10 H8 UNI 5588-6S ZB
29	531205214	10121900	cuscinetto ruota	ball-bearing	roulement	8	
30	531204461	09135294	ruota posteriore	posterior wheel	roue posterieur	2	D210/26 TAC
31	531204936	10114804	tappo ruota	plug	bouchon	4	
32	531205042	10120090	vite	screw	vis	4	
33	531206644	10275100	rosetta	washer	rondelle	4	UNI 8840- B12(13/24/0,8)
34	531208772	20655800	seeger	seeger	seeger	6	D.12E DIN 471
35	531208859	20761300	rondella temp.	washer	rondelle	2	D.12,4x17x0,3
36	531205045	10120160	pignone	pinion	pignon	1	DX
37	531207847	10831200	rondella piana	washer	rondelle	2	D.12/34/0,7 ZB
38	531208778	20657600	cuscinetto	ball-bearing	roulement	2	D.12/28/8 6001/2RS
39	531205538	10135283	assale posteriore	rear axle	assieu arriere	1	
40	531205046	10120170	pignone	pinion	pignon	1	SX
41	531206652	10281200	supporto superiore	bearing	support	2	
42	531207385	10602800	vite	screw	vis	4	TEFR 5x12
43	531206289	10160070	molla	spring	ressort	1	
44	531204758	09767800	riduttore completo	reducer complet	reducteur complete	1	
47	531206303	10160220	cinghia	belt	courroie	1	Z.29-L 730
48	531205108	10121160	chiavetta	key	clavette	2	"S" 5x5(-0,05) x19,2 DIAG
49	531207697	10766503	tubetto distanziale	spacer tube	toyau entretoise	1	
50	531208207	20135323	cestello sinistro	left side grass catcher	bac côte gauche	1	
51	531208203	20135313	cestello destro	right side grass catcher	bac côte droit	1	
52	531205547	10135330	tirante	tie rod	entretoise	1	D.8 x 330
53	531205545	10135303	cestello completo	grass catcher	bac complet	1	
54	531207856	10831800	vite	screw	vis	10	TEFR 5x10



brand	MEP
-------	-----

date	JAN/02	SHEET 3/3
------	--------	-----------

MP - ER 548S BBC

Pos.	PN ELX	PN MEP	DESCRIZIONE	DESCRIPTION	DESCRIPTION	Q.ty	NOTE
56	531206290	10160083	carter cinghia	belt housing	carter de courroie	1	
57	531205486	10135072	paratoia	deflector	deflecteur	1	ER
57	531205485	10135071	paratoia	deflector	deflecteur	1	MP
58	531206180	10155190	molla paratoia	spring	ressort	1	
59	531205493	10135080	tirante	tie rod	entretoise	1	
60	531205720	10140113	tappo	plug	bouchon	1	
61	531205726	10140147	distanziale	spacer	entretoise	1	
62	531205717	10140103	manopola	knob	poignée	1	
63	531205738	10140270	rondella	washer	rondelle	1	D.38,5x73x1
64	531206278	10160012	scocca	deck	chassis	1	ER
64	531206277	10160011	scocca	deck	chassis	1	MP
65	531205739	10140280	rondella	washer	rondelle	1	D.38,5x50x1
66	531205724	10140137	bussola	bush	douille	1	
67	531205723	10140127	vite	screw	vis	1	
68	531208425	20228705	vite	screw	vis	1	TE M6x35 UNI 5737-8,8-ZB
69	531206283	10160020	assale anteriore	front axle	assieu avant	1	
71	531206653	10281400	copiglia	cotter pin	goupille	2	1,8 x 33
72	531205536	10135270	supporto ass.ant.	support	support	2	
73	531204371	O9120084	ruota anteriore	front wheel	roue anterior	2	D170/26 TAC-MP
74	531206287	10160040	molla asta	spring	ressort	1	
75	531206285	10160033	asta	rod	tige	1	
76	531205768	10140420	vite	screw	vis	1	TE M8x90 UNI 5737 1/2F ZB
76	531207107	10407800	vite	screw	vis	2	TE M8x65 UNI 5737-8,8-ZB 4x6,5 UNI6606 WODRUF
77	531204907	10100900	chiavetta	key	clavette	2	
78	531205557	10135413	fermacavo	cable lock	arret du cable	1	
79	531207981	20106200	rondella dent.	washer	rondelle	3	D.8E DIN 6798
80	531207982	20106300	dado	nut	ecrou	5	M8 H8 UNI 5587-6S ZB
82	531205797	10140860	puleggia	pulley	pouille	1	
83	531206295	10160130	freno lama	brake blade	frein lame	1	
85	531208974	30102100	rondella dent.	washer	rondelle	2	10E
86	531205800	10140890	vite	screw	vis	1	TE M10x45 UNI 5737-8.8 Z.
87	531206300	10160190	vite freno lama	screw	vis	1	
88	531208259	20140373	sacco nero	sac	sac	1	
89	531205763	10140393	coper.sacco /telaio	sack frame upper	cadre sac superieur	1	
90	531204522	O9140413	sacco completo	grass catcher	sac complete	1	
91	531207703	10768400	spina elastica	resilient pin	goupille expansible	1	
92	531208899	20768203	puleggia riduttore	gear pulley	poulie reducteur	1	
93	531205469	10135050	convogliatore	deflector	deflecteur	1	
95	531206305	10160240	dado	nut	ecrou	4	M6 - DIM986-ZB-C.N
96	531206306	10160250	rondella piana	washer	rondelle	4	D.6/14/1,5 ZB
99	531207776	10803700	vite	screw	vis	1	6Mx50 TB TF FILETTATA
100	531206296	10160140	cavo freno	cable	cable	1	
101	531208063	20122790	dado	nut	ecrou	1	M6 FLANGIATO
103	531206294	10160120	molla freno lama	spring	ressort	1	
104	531206297	10160160	lama	blade	lame	1	
105	531208425	20228705	vite	screw	vis	1	E M6x35 UNI 5737-8,8-ZB
106	531206299	10160180	piastra freno	plate	plaque	1	
107	531205581	10135600	fascetta	clamp	colier	2	160X4,5
108	531208759	20652200	rondella piana	washer	rondelle	1	6x13x1

